

BASKET STRAINERS

Designed to provide maximum protection of the elements of any hydraulic system and prevent damage of objects inside the piping as water meters, valves, and other valuable accessories.

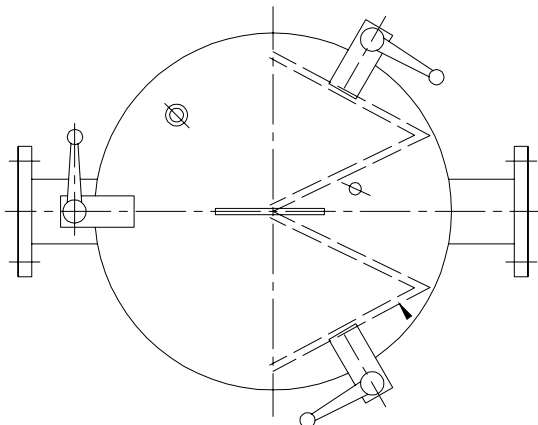


Operation

Physically retain all particles larger than the size of the stainless steel mesh of the filter element.

The manual cleaning provides the user the security of forgetting problems arising from a mechanical failure or poor automation assembly.

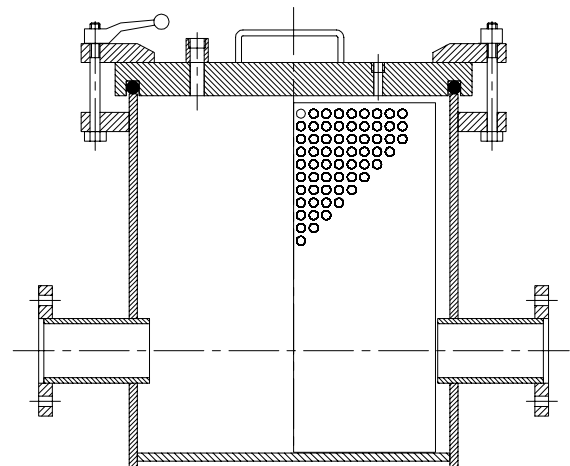
Thanks to the large filter surface and the low pressure drop of the filters, the performance of the filters is higher than the other filters on the market.



Disassembly

Nº	DESCRIPTION	MATERIAL
1	Filter basket	Carbon steel
2	Filter element	Stainless steel
3	Sealing elements	NBR
4	Screws	Quality bichromated
5	Paint	Epoxy coating

* Filters also available with Victaulic connection. For other configurations please consult



Technical specifications

- The equipment is supplied completely assembled and ready for installation in the field.
- Minimum load loss that increases the performance of all elements of the hydraulic system.
- Easy and quick cleaning. It can be done by inexperienced and inexperienced staff. Rapid access to a certain filter reduces downtime and

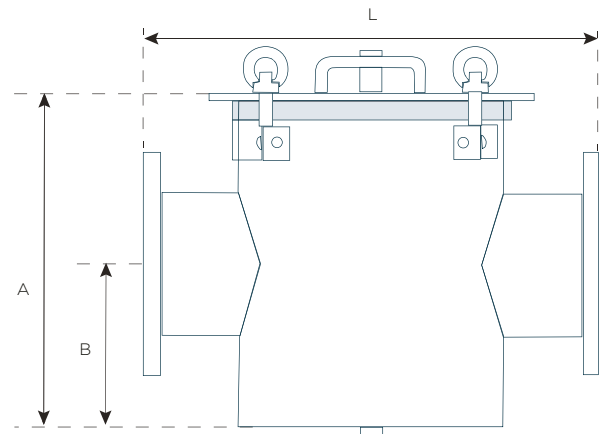
maintenance costs.

- Complete range of filters between Ø50mm and Ø300mm (see other diameters).
- Welding homologated, according to ASME-IV standard.
- Supply adaptable to customer needs.

Dimensions

DN		L	A	B	PLUG	BODY DIAMETER	WEIGHT
mm	in	mm	mm	mm	in	in	kg
50	2"	310	210	105	1/2	6	19
65	2-1/2"	310	240	120	3/4	6	20
80	3"	370	280	140	3/4	6	22
100	4"	460	320	160	1	8	32
125	5"	520	360	180	1	10	56
150	6"	570	390	195	1	12	73
200	8"	700	500	250	1-1/2	16	113
250	10"	800	650	325	1-1/2	20	179
300	12"	900	750	375	2	24	246

Standard filter mesh perforation 4 mm diameter.



Pressure loss curve

