



GATE VALVE



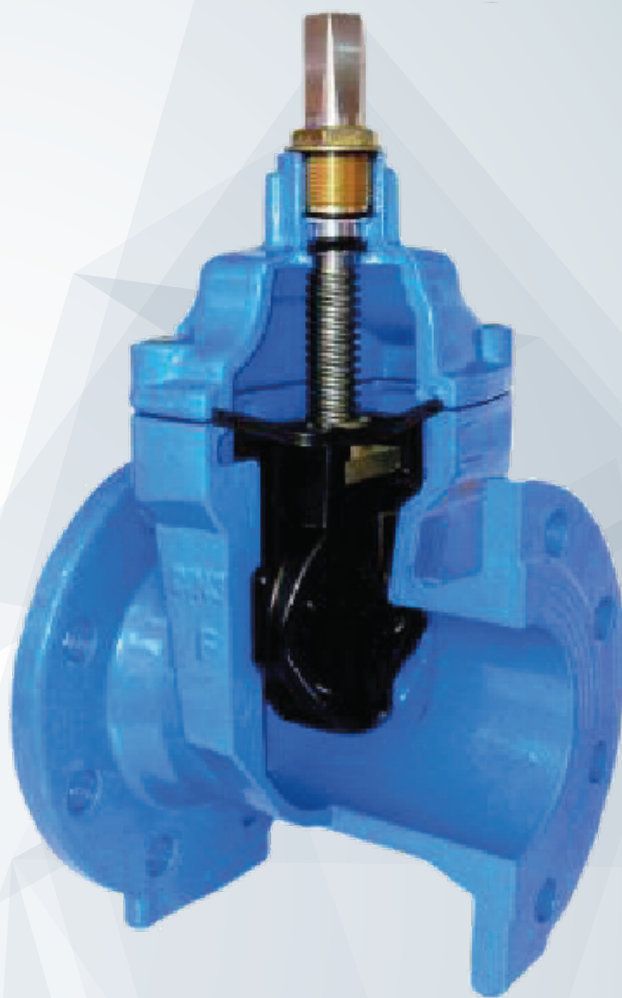
Hydrodynamic design

Resilient Seat Gate Valves, free of maintenance, inner screw (504-505) or outside screw and yoke (507), clockwise closure, bolted bonnet.



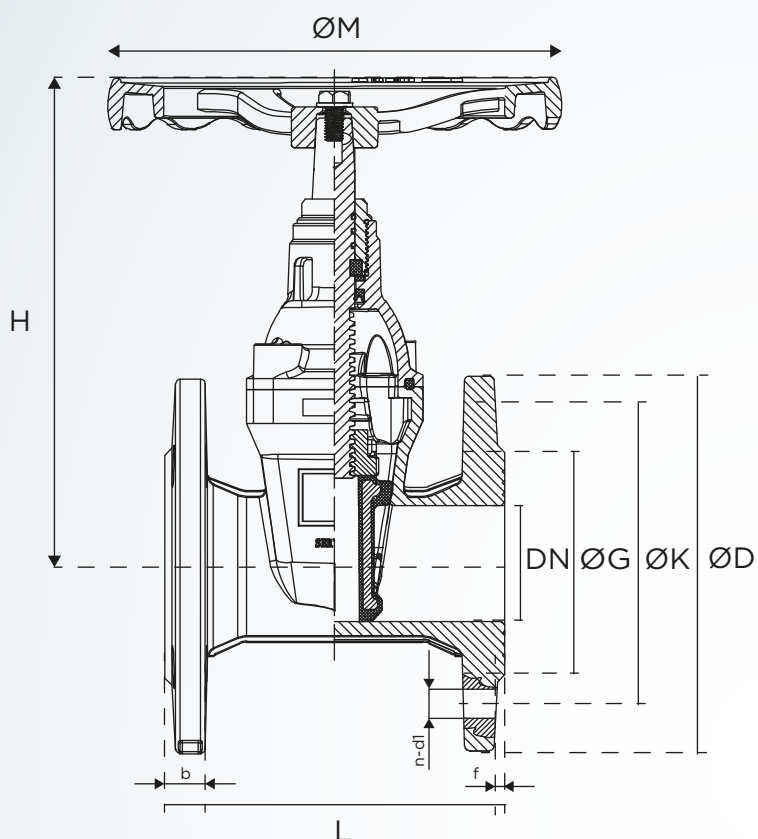
Applications

They are provided with protection by EPOXI coating and are the right choice for general water systems. They offer a perfect tightness thanks to their resilient coated wedge even with sediment media.



Technical specifications

- ✓ - Protection by Epoxi Coat.
- ✓ - NBR-EPDM rubber wedge lining. Full tightness.
- ✓ - Non Rising hand Wheel, operation by head cap possible.
- ✓ - Round rubber gasket fits into a recess in bonnet preventing from being blow out by pressure surges.
- ✓ - Union bolts wax covered.
- ✓ - Removable bushing.
- ✓ - Full bore, self cleaning, minimum pressure drop.
- ✓ - WRAS approval.



Disassembly

Nº	Description	Material
1	Body	Ductil iron
2	Bonnet	Ductil iron
3	Disc	Ductil iron + EPDM
4	Nut	Brass
5	Pin	Stainless steel
6	Handheel	Ductil iron
7	Gaskets	NBR / EPDM



Dimensions

Calibre		Principal dimensions			Coupling details							
mm	inches	L	H	ØM	D	K		n-d1		b	G	f
50	2	150	214	200	165	125		4- Ø19		19	99	3
65	2-1/2	170	257	200	185	145		4- Ø19		19	118	3
80	3	180	265	254	200	160		8- Ø19		19	132	3
100	4	190	311	254	220	180		8- Ø19		19	156	3
125	5	200	348	315	250	210		8- Ø19		19	184	3
150	6	210	385	315	285	240		8- Ø23		19	211	3
200	8	230	488	315	340	295		8- Ø23	12- Ø23	20	266	3
250	10	250	600	406	395 405	350	355	12- Ø23	12- Ø28	22	319	3
300	12	270	680	406	445 460	400	410	12- Ø23	12- Ø28	24,5	370	4



GATE VALVE

WHEN WATER COUNTS

CUANDO EL AGUA ES LO QUE CUENTA

www.hidroconta.com

Ctra. Sta Catalina, 60
Murcia (30012)
España

T: +34 968 26 77 88
F: +34 968 34 11 49

hidroconta@hidroconta.com

