



## BACKWASH VALVE



## Hydrodynamic design

The hidroconta backwash valve combines in a single body the two valves that are traditionally used, reducing hydraulic fittings and connections thanks to its special actuation system.



## Water Engineering

- ✓ - Low head losses.
- ✓ - It allows simple and trouble-free operation.
- ✓ - Its installation is easy due to the minimal use of accessories and hydraulic connections.



## Functioning

The membrane of valve, in addition to control the direct water passage, acts on a piston which opens and closes the bypass water passage. When the piston and membrane seals are in opposing position, the filter of the wash valve act optimally. The valve also allows the connection of a solenoid to perform it's function automatically with a programmed filter washing

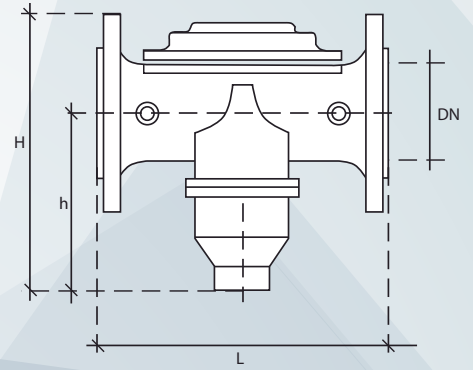
Model	Pression min.	Pression máx.	Q max recommended to work
	bar	bar	m <sup>3</sup> /h
3x2x3 ( Line y angle)	1,2	16	80
3x3x3 ( Line and angle)	1,2	16	80

Model	Conexion line to filter	Connection to wash water exit	Pressure range	Length
			bar	mm
3x2x3 L B-R-B	3 " Flange line	2" Thread	1-16	295
3x3x2 A V-V-R	3" Angle victaulic	2" Thread	1-16	220
3x3x3 A V-V-V	3" Angle victaulic	3" Victaulic	1-16	248



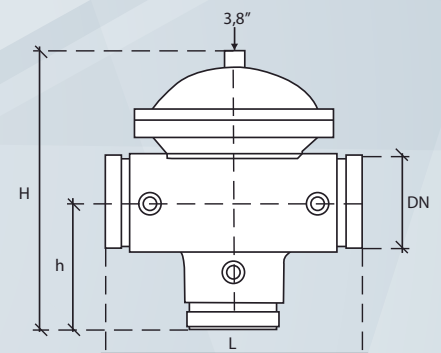
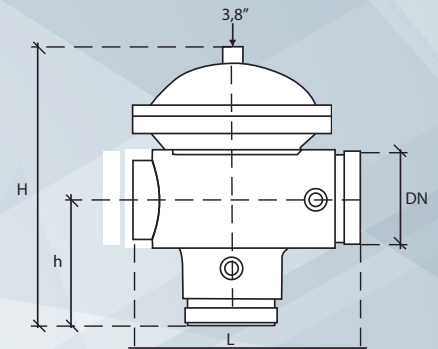
## Dimensions

Model	Length	Total height	height	Weight
	mm	mm	mm	kg
3x2x3 L B-R-B	295	300	200	23,5
3x3x2 A V-V-R	220	244	105	13
3x3x3 A V-V-V	248	259	120	15,3

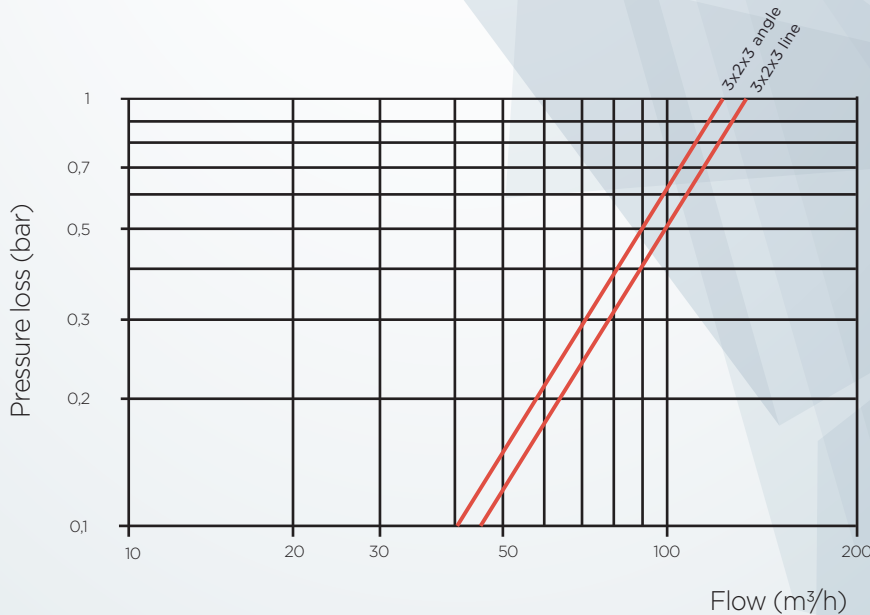


## Assembly

Model	3x2x3 L B-R-B	3x3x2 A V-V-R	3x3x3 A V-V-V
Body	GG-25	GG-25	GG-25
Membrane	Reinforced natural rubber		
Axis	Ac. inox	Brass	Brass
Coating	Epoxy		



## Pressure loss curve





## BACKWASH VALE

WHEN WATER COUNTS

CUANDO EL AGUA ES LO QUE CUENTA

[www.hidroconta.com](http://www.hidroconta.com)

Ctra. Sta Catalina, 60  
Murcia (30012)  
España

T: +34 968 26 77 88  
F: +34 968 34 11 49

[hidroconta@hidroconta.com](mailto:hidroconta@hidroconta.com)

