



BUTTERFLY VALVE



## Hydrodynamic design

Butterfly Valves are consisting of a disc with a rod (shaft) through connector to an actuator. Rotating the actuator turns the disc along  $\frac{1}{4}$  turn and the valve can regulate flow in intermediate positions until achieve full open or close position.



## Rotativ valve

Concentric and resilient seat with wafer, lug and flange connection. Its light, compact and simple design, full tightness and economy makes them the first choice in many HVAC, Wafer Works and low pressure and low-medium temperature Industrial applications.

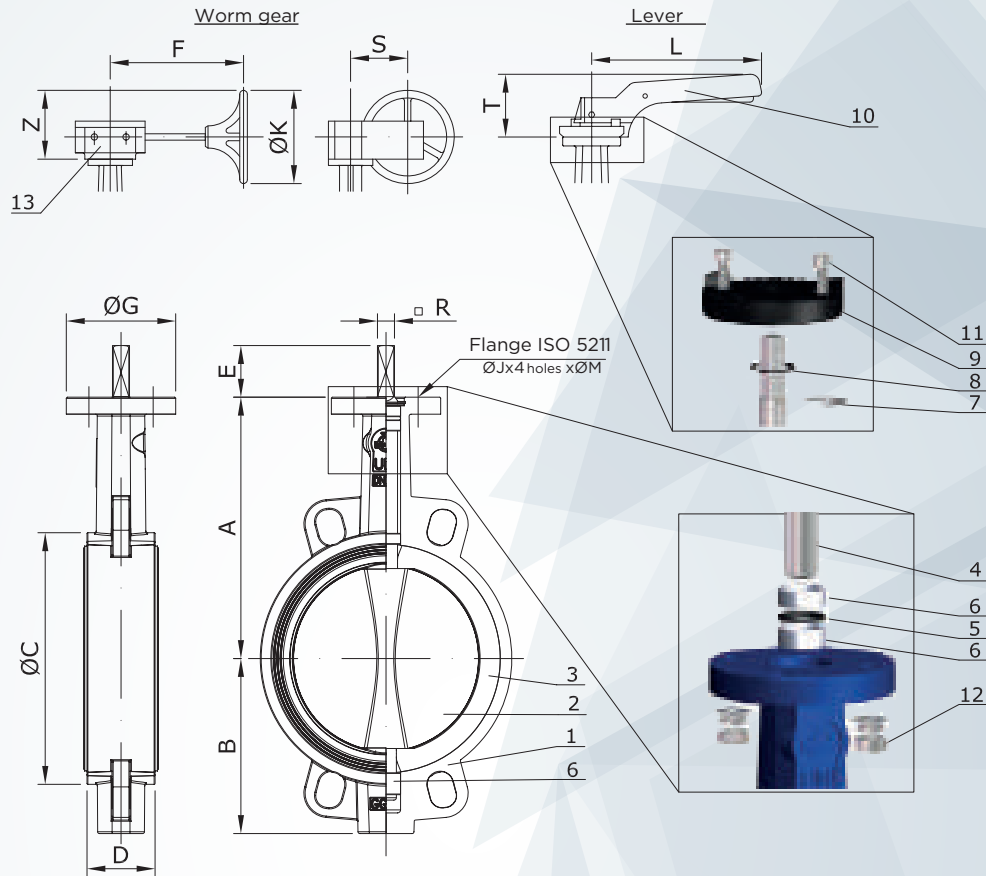


## Technical specifications

- ✓ - Notch plate lever: with position indicator and gear locking in intermediate position when needed.
- ✓ - Top flange to ISO 5211 and square stem with beveled edges to ease actuator coupling.
  - Finley machined Disc Edges.
- ✓ - Replaceable Seat Liner is profiled to ensure a tight shut off sealing. No need for gaskets between valve and counter flanges.
- ✓ - Great versatility in connections (wafer, lug, flanged, grooved) as well as materials of construction.
  - ✓ - Extended Valve Neck enables thermal isolation in heating plants.
- ✓ - Shaft- Disc threaded union standard up to DN300: disc offers clean surface against the fluid without union pins source of corrosion and turbulences in small sizes.
  - ✓ - Epoxy power paint protection.
  - ✓ - Quarter Turn Rotary Valves for On/Off and Modulating service.



## Dimensions



Calibre		Main dimensions				Coupling detail					Lever		Worm gear			Weight	
mm	pulgadas	A	B	ØC	D	E	R	ØG	ØJ	ØM	T	L	F	S	Z	Ø	kg
50	2	137	77	90	43	32	9x9	65	50	7	70	195	156	45	116	150	6,5
65	2-1/2	142	87,5	103	46	32	9x9	65	50	7	70	195	156	45	116	150	7
80	3	158	95	120	46	32	9x9	65	50	7	70	195	156	45	116	150	8
100	4	180	107	152	52	32	11x11	65	50	7	70	195	156	45	116	150	9
125	5	192	121,5	180	56	42	14x14	90	70	9	71	278	156	45	168	250	10,5
150	6	215	144	207	56	42	14x14	90	70	9	71	278	156	45	168	250	12,5
200	8	242	171	260	60	36	17x17	125	102	11	40	355	223	63	193	300	21,5
250	10	280	205	315	68	38	22x22	150	125	13	44	507	223	78	190	300	37,5
300	12	310	235	370	78	38	27x27	150	125	13	34	507	223	78	190	300	45,5
350	14	337	258,5	418	78	45	27x27	150	125	14	-	-	223	78	190	300	54,5
400	16	357,3	303,3	470	102	50	27x27	150	125	14	-	-	270	120	208	300	90
450	18	422	323	541	114	50	30x30	210	165	22	-	-	270	120	258	300	107,5
500	20	482	350	570	127	65	36x36	210	165	22	-	-	339	120	222	300	156
600	24	563	445	598	154	70	46x46	300	165	22	-	-	339	120	222	300	231,5



## Disassembly

N°	Description	Material
1	Body	Cast Iron
2	Disc	Ductil Iron / St.Steel
3	Liner	EPDM
4	Stem	St.Steel - AISI
5	O-ring	EPDM
6	Bushing	PTFE
7	Washer	Steel
8	Circlip	Steel
9	Plate	Aluminium
10	Lever	Aluminium / Ductil iron
11	Bolts	Steel
12	Nuts	Steel
13	Worm gear	Ductil iron



## Torques

Calibre		PN10	PN16
mm	pulgadas	Nm	
50	2	-	16
65	2-1/2	-	26
80	3	-	33
100	4	-	53
125	5	-	81
150	6	-	119
200	8	-	194
250	10	-	308
300	12	-	595
350	14	475	-
400	16	746	-
450	18	1112	-
500	20	1356	-
600	24	2468	-

Above given values are inclusive of the 3 torques: seating torque, bearing torque, dynamic torque.



## Kv values

Calibre		Opening angle of the valve								
mm	inches	10°	20°	30°	40°	50°	60°	70°	80°	90°
50	2	-	2,5	7	14	24	40	67	95	105
65	2-1/2	-	5	11	23	40	67	107	159	176
80	3	-	9	20	35	61	101	161	240	265
100	4	-	16	38	78	137	226	360	538	594
125	5	0,5	26	69	129	219	361	576	860	950
150	6	0,8	44	105	205	373	617	983	1468	1622
200	8	1,3	82	205	387	680	1124	1792	2676	2957
250	10	2,1	138	345	669	1084	1791	2855	4262	4711
300	12	3,7	210	534	1028	1639	2707	4318	6449	7126
350	14	5,5	305	750	1326	2347	3878	6184	9236	10205
400	16	7,4	388	935	1813	3208	5301	11049	12625	13950
450	18	9,7	550	1212	2370	4193	6929	13900	16500	18232
500	20	13	658	1595	2981	5275	8716	13900	20758	22937
600	24	20	962	2246	4431	7919	13083	20864	31158	34429



## BUTTERFLY VALVE

WHEN WATER COUNTS

CUANDO EL AGUA ES LO QUE CUENTA

[www.hidroconta.com](http://www.hidroconta.com)

Ctra. Sta Catalina, 60  
Murcia (30012)  
España

T: +34 968 26 77 88  
F: +34 968 34 11 49

[hidroconta@hidroconta.com](mailto:hidroconta@hidroconta.com)

