

CHECK VALVE



Hydrodynamic design

Check Valves are self-acted by the media pressure and are devised to prevent the flow return to the pressurized side of the system. Wafer Dual Plate Check valves are featured as a light and economic option to be used on industrial and waste treatment plants.



Independent mechanism

Its water design suitable to installation between flanges makes these valves quite a prime option especially on large diameters. Two tilting plates loaded by a spring are stopping the fluid and preventing it from returning to the pressurized side of the installation. They are featured by a low pressure drop if compared to other conventional wafer type check valves.



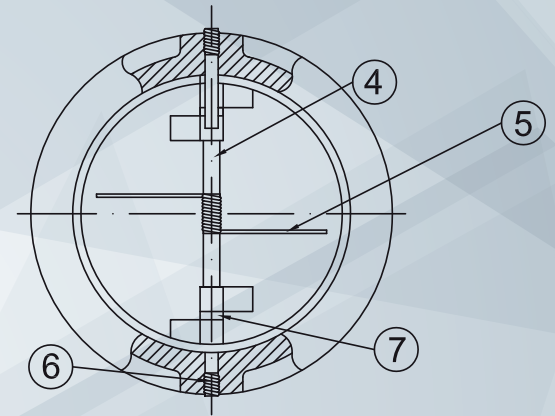
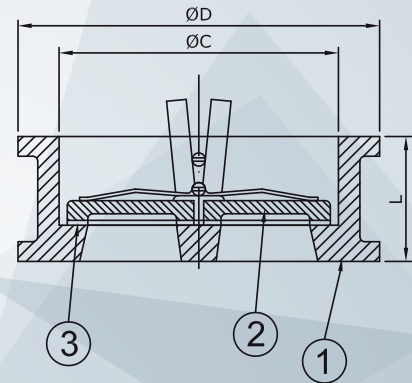
Technical specifications

- ✓ - Wafer body design rugged and easy to handle.
- ✓ - Nickel plated plate surface or St. Steel.
- ✓ - Integral rubber facing gaskets, no need to use additional gaskets.
- ✓ - Unidirectional Design (observe direction of arrow on valve commissioning).
- ✓ - Standard Design pressure: PN16 (PN10 from DN 350 onwards), PN10 (DN 350-600)
- ✓ - Size range: DN50-600.
- ✓ - Standard installation between flanges EN 1092 PN 10-16 other flange standard on request.



Disassembly

Nº	Description	Material
1	Body	Cast iron
2	Discs	Ductil iron
3	Resilient seat	NBR
4	Hinge Pin	Stainless steel
5	Spring	Stainless steel
6	Retainer screw	Galvanized carbon steel
7	Disc bearing	PTFE



Dimensions

Calibre		L	ØD	ØC	weight
mm	Inches		mm		kg
50	2	43	109	70,5	2
65	2-1/2	46	129	83,5	2
80	3	64	144	91,5	3
100	4	70	165	115,5	4,5
125	5	76	194	142,5	7
150	6	89	220	169,5	11
200	8	114	275	220,5	18
250	10	114	330	275,5	29
300	12	127	380	325,5	33
350	14	140	440	356	71
400	16	152	491	406	99
450	18	152	541	468	118
500	20	152	596	515	180
600	24	222	698	617	549



Opening pressure

Calibre		ΔPc For horizontal flow	ΔPc For vertical flow upwards
mm	Inches	mbar	mbar
50	2	230	117
65	2-1/2	290	142
80	3	310	163
100	4	350	194
125	5	400	248
150	6	480	280
200	8	600	346
250	10	730	433
300	12	850	480
350	14	350	194
400	16	400	248
450	18	480	280
500	20	600	346
600	24	730	433



CHECK VALVE

WHEN WATER COUNTS

CUANDO EL AGUA ES LO QUE CUENTA

www.hidroconta.com

Ctra. Sta Catalina, 60
Murcia (30012)
España

T: +34 968 26 77 88
F: +34 968 34 11 49

hidroconta@hidroconta.com

