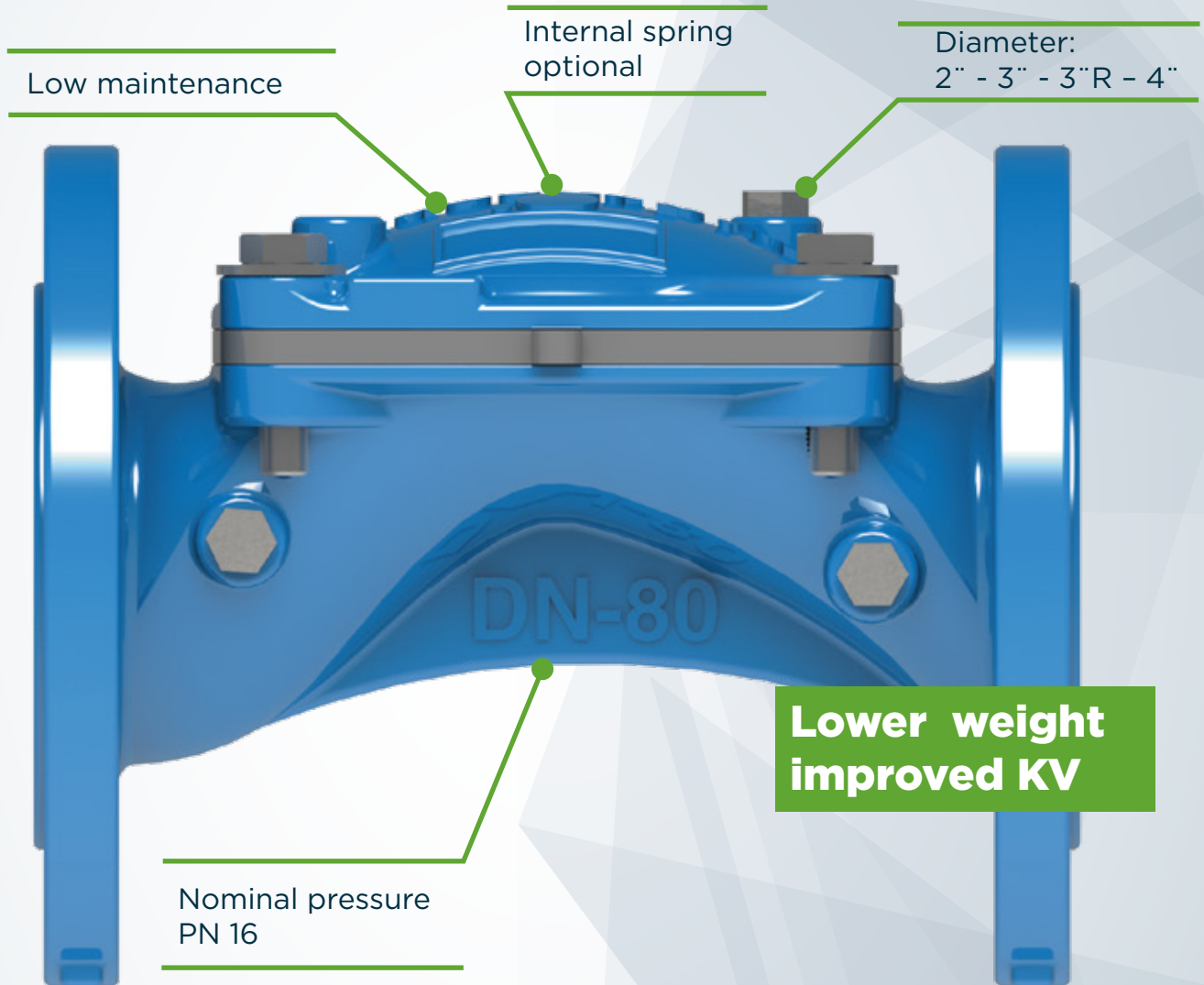


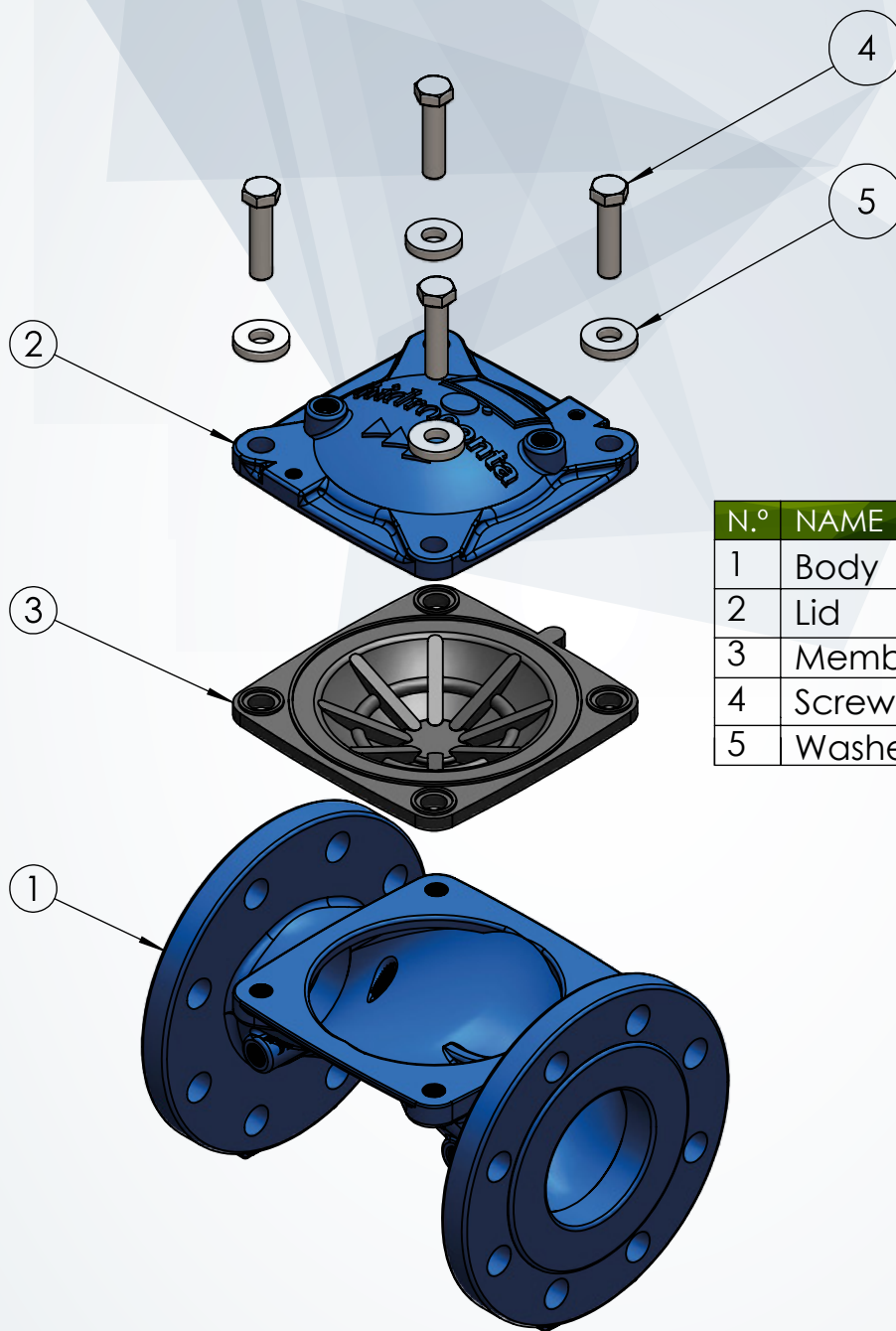
1leopard

leopard





Despiece

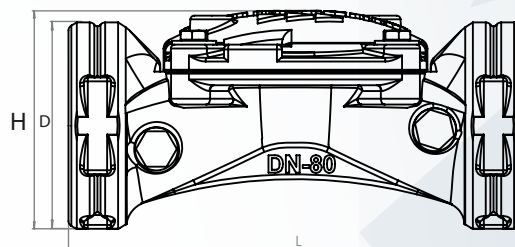
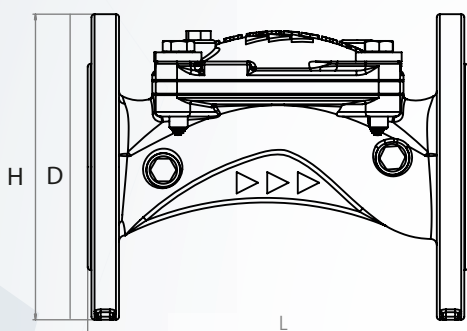


N.º	NAME	MATERIAL
1	Body	Ductil Iron
2	Lid	Ductil Iron
3	Membrane	Natural ruber
4	Screw	Zinc plated steel
5	Washer	Zinc plated steel



Dimensions

Diameter		L	H	D	Weight	Connections
mm	Inch		mm		Kg	
50	2"	189	166	166	6,6	FLANGE
80	3"	250	201	201	10,8	FLANGE
80	3R"	235	113	107	5,4	THREAD
100	4"	311	222	222	16,2	FLANGE



Technical specifications

Diameter		Minimum opening pressure	Maximum pressure	KV	CV
		bar	bar	m ³ /h	US gpm y psi
50	2"	0,3	PN16	101	117,15
80	3"	0,3	PN16	233	270,28
80	3R"	0,3	PN16	150	174,0
100	4"	0,3	PN16	328	380,48



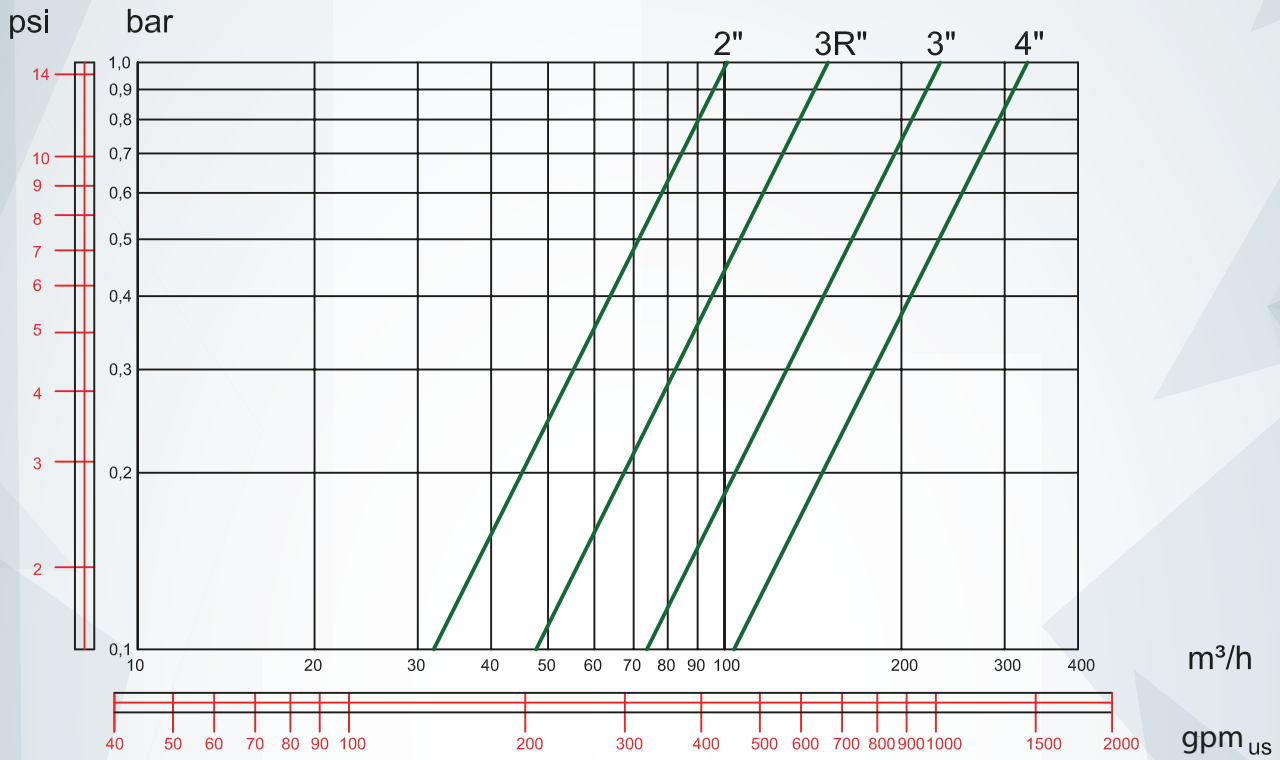
Calculation of coefficient Kv

- q_v is the flow rate in m³ / h
- ρ is the density of water in kg / m³
- ρ₀ is the density of water at 15 °C in kg / m³
- Δp_v is the loss pressure of the valve in bar

$$K_v = q_v \sqrt{\frac{\rho}{\Delta p_v \rho_0}}$$



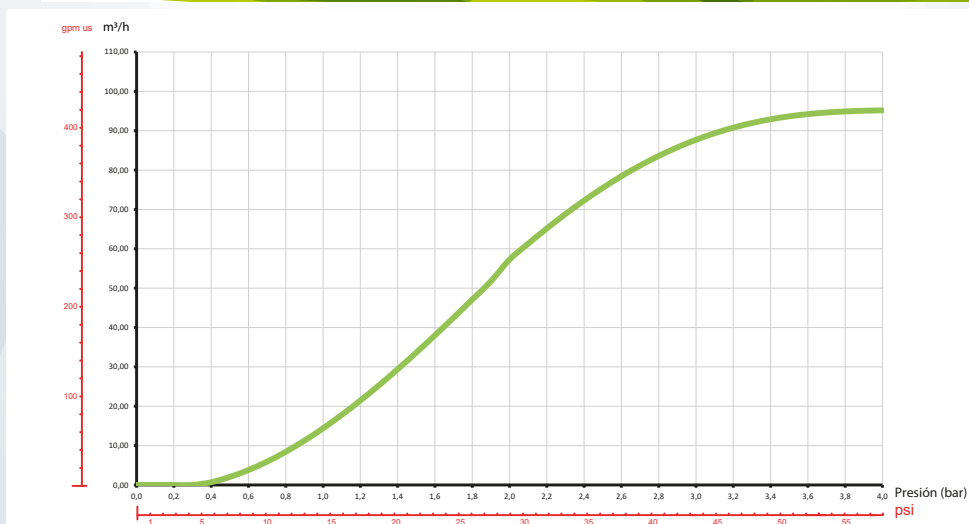
Pressure loss curve



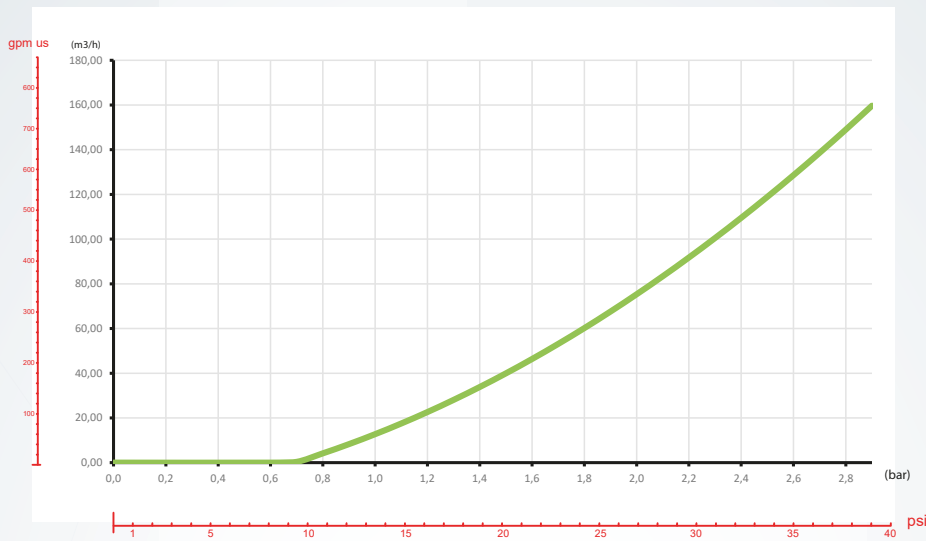
Operating curves

* Data in non-pressurized downstream conditions.

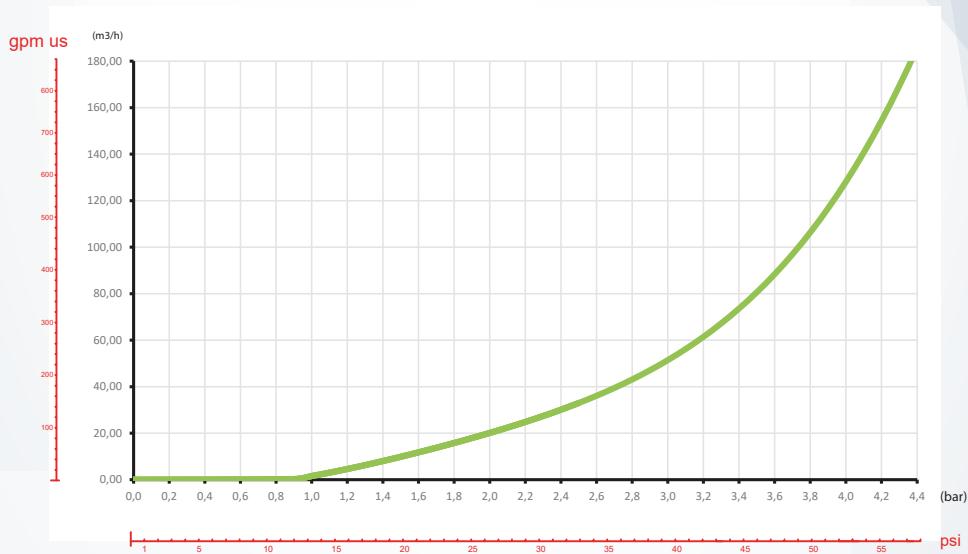
DN 50



DN 80



DN 100



leopard

LEOPARD VALVE

WHEN WATER COUNTS

CUANDO EL AGUA ES LO QUE CUENTA

www.hidroconta.com

Ctra. Sta Catalina, 60
Murcia (30012)
España

T: +34 968 26 77 88
F: +34 968 34 11 49

hidroconta@hidroconta.com

Hidroconta disclaims responsibility for errors in the information contained in this document, which may be modified without notice. All rights reserved. © Copyright. 2020 HIDROCONTA, S.A.U

